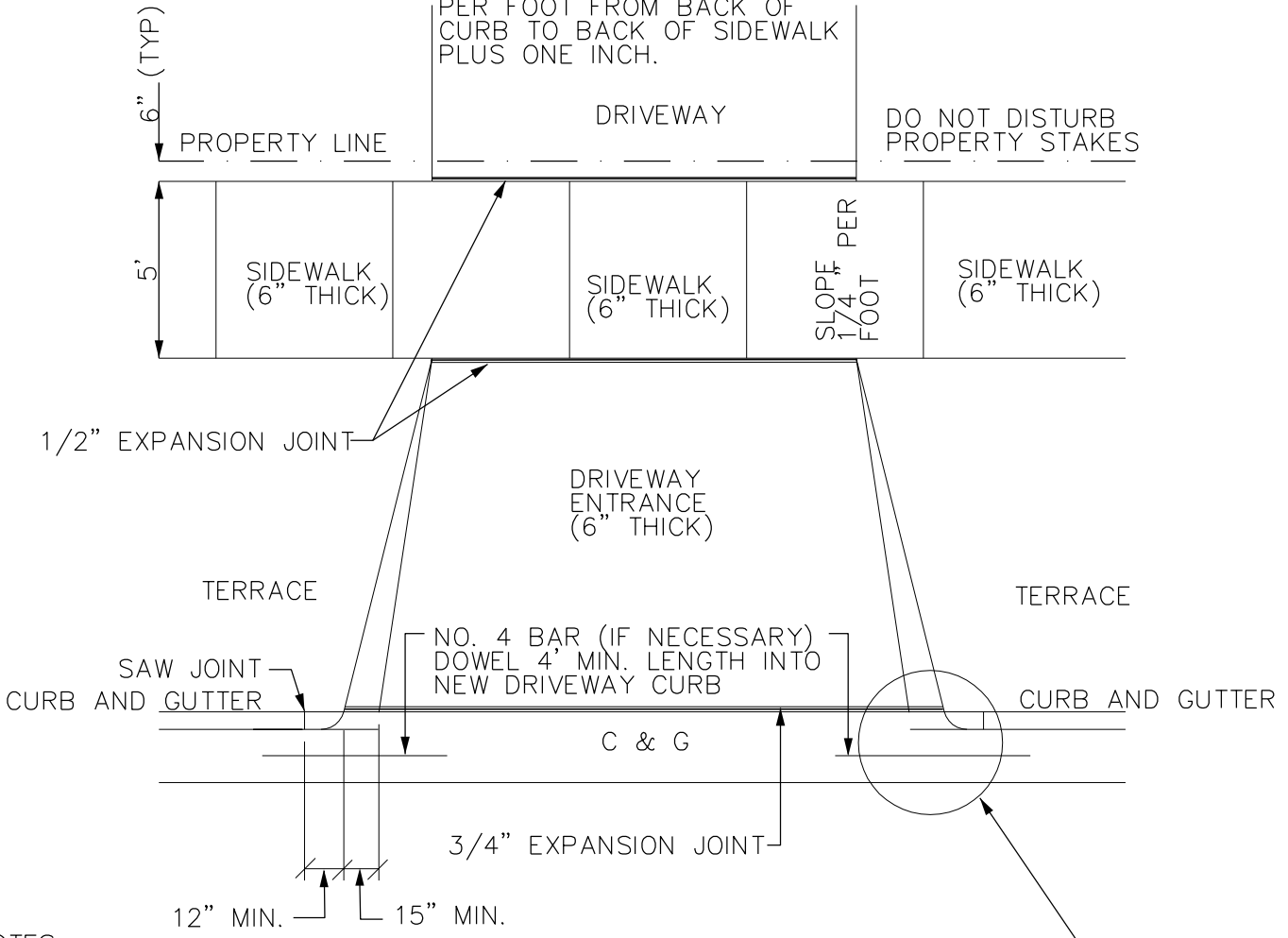


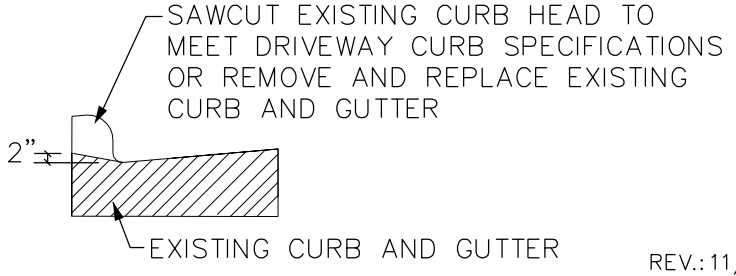
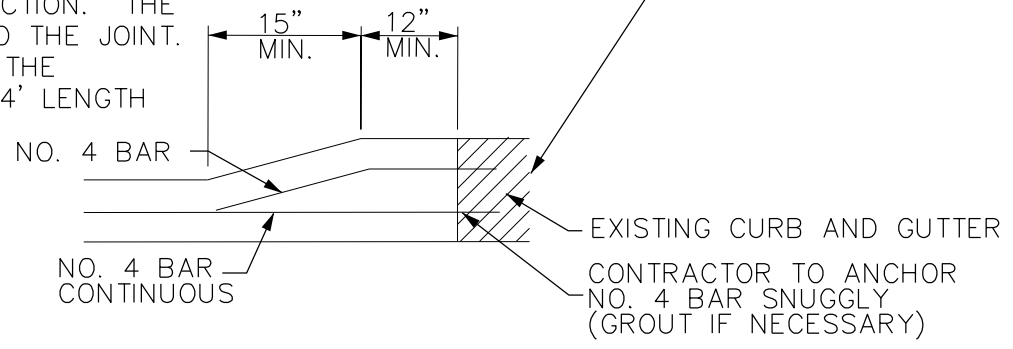
NOTE:
HEIGHT OF SIDEWALK
SHALL BE CALCULATED AT 1/4"
PER FOOT FROM BACK OF
CURB TO BACK OF SIDEWALK
PLUS ONE INCH.



NOTES:

1. DRIVEWAY ENTRANCES AND SIDEWALK SHALL BE 6" THICK, MIN. 6 BAG MIX.
2. 6% MIN. AIR ENTRAINMENT
3. IF ANY EXPANSION JOINT IS WITHIN 3 FEET OF DRIVEWAY CONSTRUCTION. THE CURB SHALL BE REMOVED TO THE JOINT. DOWEL THE NEW CURB INTO THE EXISTING WITH NO. 4 BARS, 4' LENGTH

DOWEL REINFORCEMENT SECTION:
ANCHOR NEW CURB TO EXISTING
WITH A NO. 4 BAR IN TOP AND
BOTTOM SECTION.



CURB CUT AND DRIVEWAY

VILLAGE OF BELLEVUE

<p>Cedar corporation</p>	<p>engineers • architects • planners • environmental specialists land surveyors • landscape architects • interior designers</p>	DETAIL No.
	<p>800-472-7372 www.cedarcorp.com</p>	

REV.:11/17/15